

LN-1002 Fanless BOX-PC



Note: The products shown in the picture may differ from the actual products due to different versions and configurations, please refer to the ordering information to select the appropriate model!

Product Features:

◆ The whole machine is sealed and fanless design to meet the harsh industrial environment.

CPU thermal conductor integrated design, the whole structure of the machine is compact, rugged, fanless.

Designed with an extruded aluminum alloy chassis, the finned shell also serves as a heat sink.

With excellent sealing and dustproof, heat dissipation and anti-vibration performance, it can meet the requirements in the dirty and dusty environment.

Use in harsh environments such as high contamination, dust, and severe electromagnetic interference.

◆ LAN, WIFI, 3G, 4G, etc., to meet the needs of different industries.

Provides RJ45 network port, MiniPCIE expansion slot, SIM card slot.

It can realize various communication methods such as wired network, WIFI, 3G, 4G and so on.

Fully meet the requirements of different industries and environments.

◆ Integrated Intel® Celeron J1900/2.0GHz quad-core processor

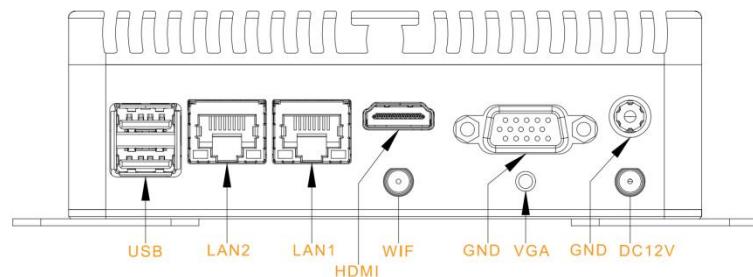
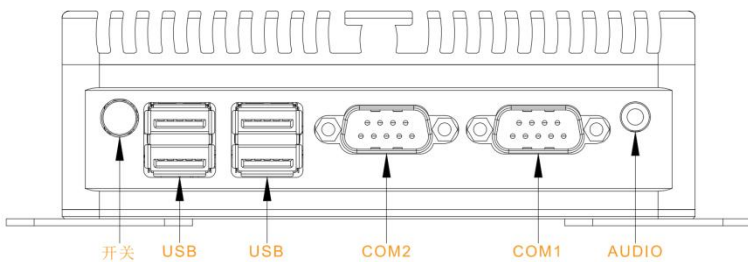
◆ Support 2.5-inch hard disk

◆ Standardly equipped with 2 ports Realtek Gigabit LAN card.

◆ Supports incoming call activation.

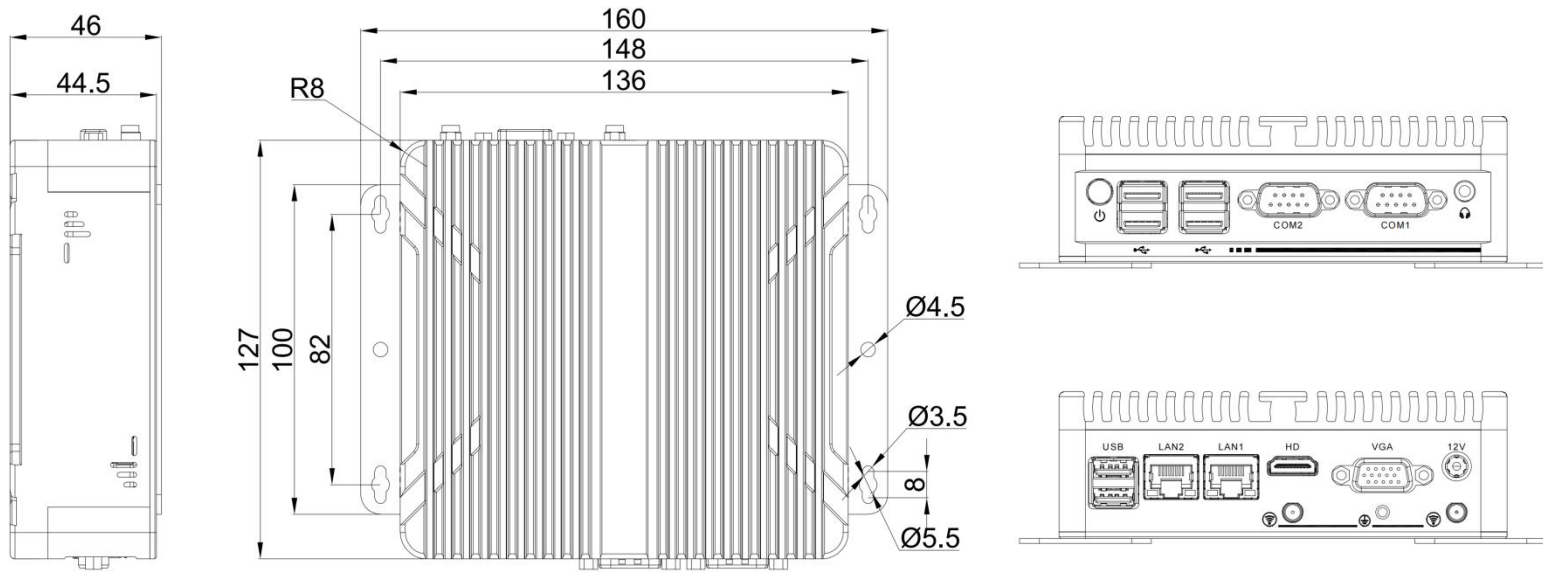
◆ DC12V DC input.

Schematic diagram of the interface location:



Note: The picture shows the interface position of the product, which is different from the actual one due to different versions and configurations, please refer to the ordering information to choose the appropriate model!

Product Dimension Drawin



Product Specification

System Configuration

processing unit	Intel® Celeron J1900/2.0GHz Quad-Core Processor , Compatible with Intel® Baytrail -I/M/D Series CPUs
chipsets	Intel® (Intel®)
random access memory (RAM)	1*SO-DIMM memory slot, single-channel DDR3L, maximum support for 8GB (the specific configuration of the memory of the whole machine is subject to the actual configuration)
display interface	1*VGA, 2*HDMI
IO interface	Switchface Interface 1*Power Switch / 4*USB2.0 / 2*COM / 1*2-in-1 Audio Rear IO surface interface 2*USB3.0+2.0 / 2*LAN / 1*HDMI / 1*VGA / 1*DC12V
memory (unit)	Provide 1 MSATA / 1 2.5-inch hard disk mounting space (the specific configuration of the memory of the whole machine is subject to the actual configuration)
Extended Interface	1* Mini-PCIe, support WIFI/4G module / 2*COM / 1*GPIO(8bit)

Chassis parameters Characteristics: Aluminum alloy high-strength heat dissipation profiles Material: high-quality high-efficiency heat dissipation aluminum alloy Thermal design: fanless passive heat dissipation

Operating humidity	10% - 95% @40°C non-condensing	working environment	-10.C~60.C(-4.F~149.F)
Storage environment	-40.C~80.C(-40.F~176.F)	power supply	DC12V Input
Installation	Recessed / Wall / Desktop Bracket	Dimensions (W*H*D)	TBD mm (naked) 126*127*45mm
Weight (kg)	Net weight ≈ 0.8KG / Gross weight ≈ 1.5KG	operating system	Windows 10 / Windows 11 / Linux
Start-up mode	Switch activation, supports self-start on incoming calls		

Ordering Information

Model Number Description

BOX Fanless Series

LN-1002-J1900

LN-1002-J4125

LN-1002-J6412

LN-1002- N100

Packing List

Name Quantity

Underexposed machine 1

power cable (of an appliance etc)	1
Mounting Bracket	1 (optional VESA mount)

Name Quantity

12V Adapter 1

screwdriver	1
Hard Disk Bracket	1 (Optional)